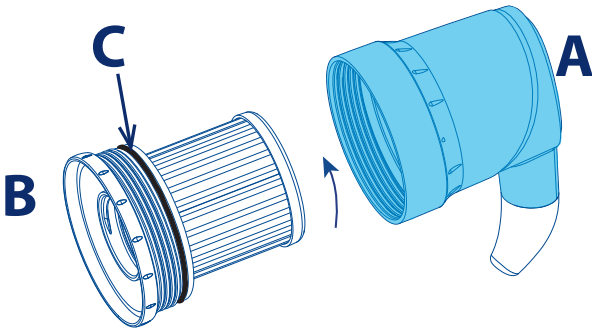


## Cleaning, Care & Storage Instructions:

**Warning: Product Contains Small Parts, Keep Out of Reach of Children**

**After each use:** Hold the cap assembly over the sink and unscrew filter cartridge (B) by turning the white ring on bottom of the cap counter clockwise while holding cap (A) and allowing any excess water to drain from the cap.



## Cleaning the Micro-Filtered System components:

**Important: Do Not Wash or Handle Filter Material**

**Bottle:** Thoroughly wash the bottle with mild soap and water and rinse.

**Comfort tip:** Remove tip and clean with mild soap and water and rinse.

**Cap:** Clean the outside of the cap with mild soap and water and rinse.

Place cap and components in a clean location and allow to dry. After the filter and components are completely dry reassemble the cap, taking care that the O-ring (C) is seated above the filter base threads as shown in the illustration, then store the assembled system in a clean and dry place ready for next use.

### Filter Data

Model #:  
00-40630

Filter Type:  
Mechanical Cyst Reduction Filter

Maximum Service Life:  
50 gallons

Manufacturer:  
Ascent Consumer Products Inc.  
Melville NY 11737  
888-547-5492

Maximum Working Pressure:  
5 psi

Maximum Operating Temperature:  
100 degrees Fahrenheit

This product has been tested and certified to meet NSF/ANSI Standard 53, a drinking water standard, for cyst reduction of 99.95% and to be lead free.

For more information from the Centers for Disease Control and Prevention (CDC) on water filters and sinus washing visit the CDC web site at: <http://www.cdc.gov>.